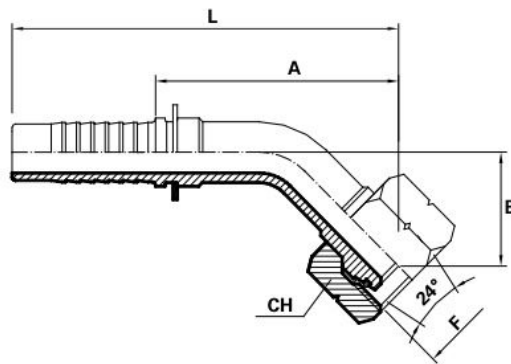


## Femmina 45° metrica O-ring 24° DKOL

### 45° O-ring metric female swept elbow 24° cone – L type

Femelle 45° métrique cône 24° avec O-ring – série L / DKO-L 45° Bogen Innengewinde mit O-Ring 24° Konus / Hembra métrica codo 45° con O-ring asiento 24° – serie L



\* Dado pinzato  
Crimped nut  
Mutter gepresst

Codice Code Référence Bestell-Nr. Código	Tubo Hose Tube Rohr Tubo	Filetto Thread Filet Gewinde Rosca	Dimensioni Dimensions Dimensions Maßzahlen Dimensiones	Pressione Pressure Pression Nennndruck Presión							
DN	Pollici Inches	Diam. Size	F	T	CH	B	A	L	PN bar	PSI	
<b>F45E0312L6</b>	5	3/16"	03	M12x1.5	6	14	15	37	65	280	4000
<b>F45E0314L8</b>	5	3/16"	03	M14x1.5	8	17	15	37	65	280	4000
<b>F45E0412L6 *</b>	6	1/4"	04	M12x1.5	6	17	17	40	68	280	4000
<b>F45E0414L8</b>	6	1/4"	04	M14x1.5	8	17	17	50	78	280	4000
<b>F45E0416L10</b>	6	1/4"	04	M16x1.5	10	19	17	48.5	76	280	4000
<b>F45E0418L12</b>	6	1/4"	04	M18x1.5	12	22	17	48.5	76	280	4000
<b>F45E0514L08</b>	8	5/16"	05	M14x1.5	8	19	23.2	51	79	280	4000
<b>F45E0516L10</b>	8	5/16"	05	M16x1.5	10	19	17	52.5	80	280	4000
<b>F45E0518L12</b>	8	5/16"	05	M18x1.5	12	22	20	50	78	280	4000
<b>F45E0616L10 *</b>	10	3/8"	06	M16x1.5	10	19	20	55	85	280	4000
<b>F45E0618L12</b>	10	3/8"	06	M18x1.5	12	22	17	57	86.5	280	4000
<b>F45E0622L15</b>	10	3/8"	06	M22x1.5	15	27	19	59	88.5	280	4000
<b>F45E0818L12</b>	12	1/2"	08	M18x1.5	12	22	27	65	98	280	4000
<b>F45E0822L15</b>	12	1/2"	08	M22x1.5	15	27	22	64	97	280	4000
<b>F45E0826L18</b>	12	1/2"	08	M26x1.5	18	32	26	65	98	210	3000
<b>F45E1026L18</b>	16	5/8"	10	M26x1.5	18	32	28	61.5	97	210	3000
<b>F45E1030L22</b>	16	5/8"	10	M30x2	22	36	30	63.5	99	210	3000
<b>F45E1226L18</b>	20	3/4"	12	M26x1.5	18	32	33.5	63	104	210	3000
<b>F45E1230L22</b>	20	3/4"	12	M30x2	22	36	27	63	103.5	210	3000
<b>F45E1636L28</b>	25	1"	16	M36x2	28	41	38.5	85.5	140	165	2350
<b>F45E2045L35</b>	32	1.1/4"	20	M45x2	35	50	35	104.5	164.5	125	1800
<b>F45E2452L42</b>	40	1.1/2"	24	M52x2	42	60	45	119	189	100	1450